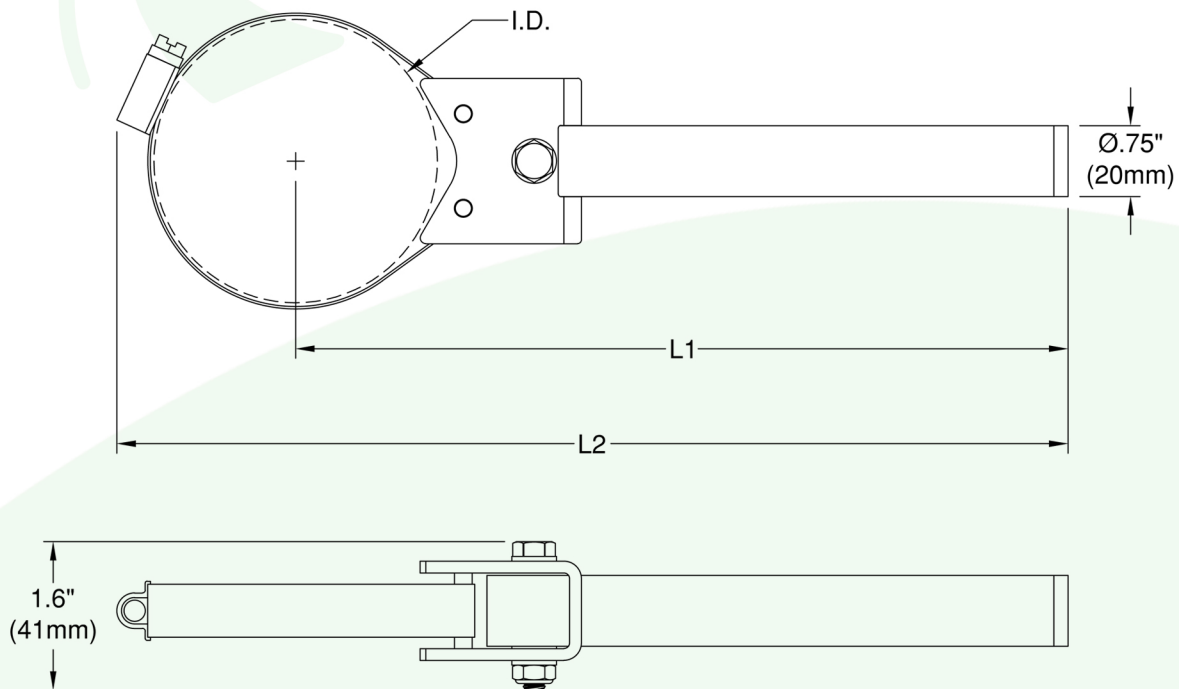


TUBE CLAMP A
STAINLESS STEEL



Part #	Size	Weight	Dimensions		
			L1	L2	I.D.
LA00019	3" Short	0.5lb. (0.23kg)	8.2in. (209mm)	10.1in. (257mm)	2.5 - 3.2in. (64 - 82mm)
LA00020	3" Medium	0.7lb. (0.32kg)	14.2in. (361mm)	16.1in. (409mm)	2.5 - 3.2in. (64 - 82mm)
LA00021	3" Long	0.9lb. (0.41kg)	20.2in. (514mm)	22.1in. (562mm)	2.5 - 3.2in. (64 - 82mm)
LA00040	2" Short	0.5lb. (0.23kg)	7.6in. (193mm)	9.0in. (229mm)	1.6 - 2.2in. (41 - 56mm)
LA00041	2" Medium	0.7lb. (0.32kg)	13.6in. (346mm)	15.0in. (381mm)	1.6 - 2.2in. (41 - 56mm)
LA00042	2" Long	0.9lb. (0.41kg)	19.6in. (498mm)	21.0in. (534mm)	1.6 - 2.2in. (41 - 56mm)

*Dimensions and weights are approximate and subject to change without notice.