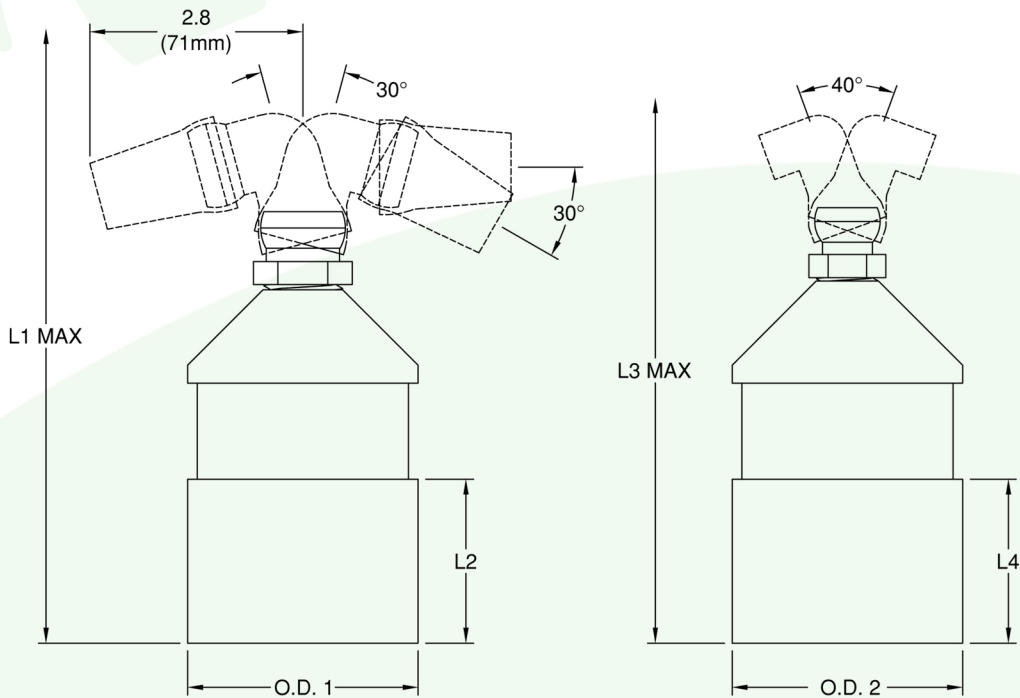


**MAXUMIZER®  
SWIVEL NOZZLE 90°**



| Part #              | Weight             | O.D.1            | O.D.2            | L1 MAX            | L2               | L3 MAX            | L4               |
|---------------------|--------------------|------------------|------------------|-------------------|------------------|-------------------|------------------|
| NAR2P 010, 020, 040 | 0.4lb.<br>(0.18kg) | -                | 2.0in.<br>(51mm) | -                 | -                | 6.5in.<br>(166mm) | 1.8in.<br>(46mm) |
| NAR2P 060, 090      | 0.4lb.<br>(0.18kg) | 2.0in.<br>(51mm) | -                | 7.4in.<br>(188mm) | 1.8in.<br>(46mm) | -                 | -                |
| NAR3P 010, 020, 040 | 0.6lb.<br>(0.28kg) | -                | 3.0in.<br>(76mm) | -                 | -                | 7.1in.<br>(180mm) | 2.1in.<br>(54mm) |
| NAR3P 060, 090      | 0.6lb.<br>(0.28kg) | 3.0in.<br>(76mm) | -                | 8.0in.<br>(203mm) | 2.1in.<br>(54mm) | -                 | -                |

\*Dimensions and weights are approximate and subject to change without notice.