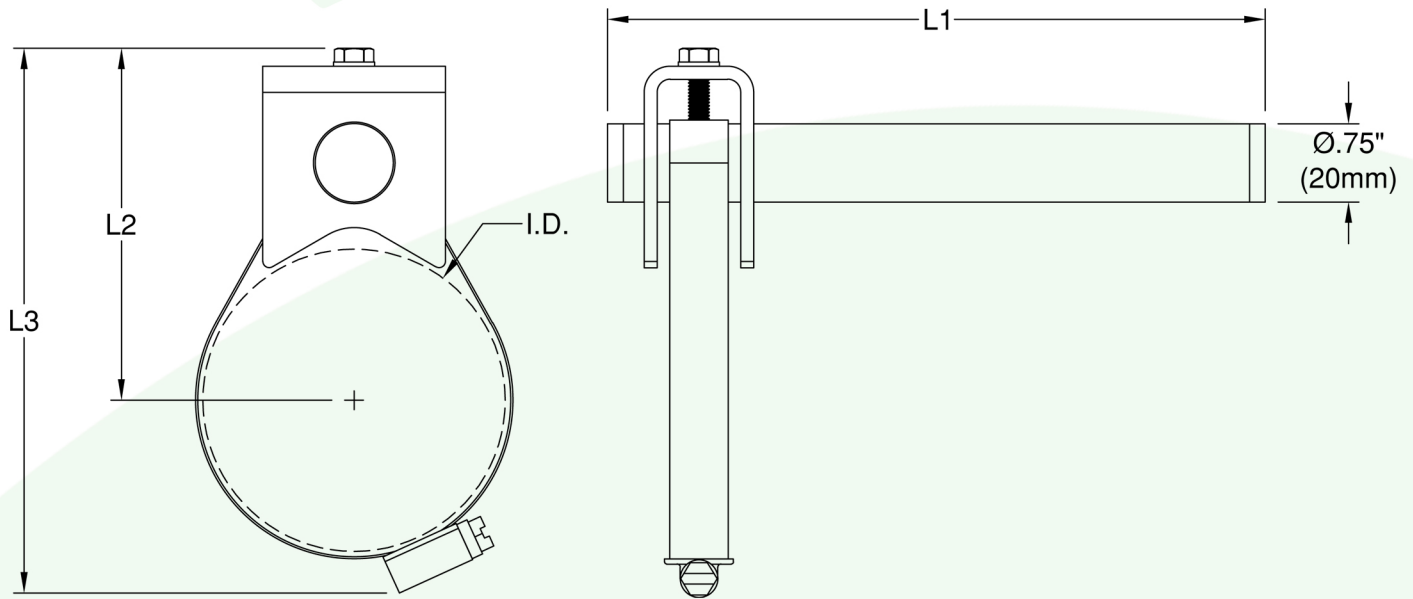


TUBE CLAMP B
STAINLESS STEEL



Part #	Size	Weight	Dimensions			
			L1	L2	L3	I.D.
LA00024	3" Short	0.5lb. (0.23kg)	6.0in. (152mm)	3.4in. (87mm)	5.2in. (132mm)	2.5 - 3.2in. (64 - 82mm)
LA00025	3" Medium	0.7lb. (0.32kg)	12.0in. (305mm)	3.4in. (87mm)	5.2in. (132mm)	2.5 - 3.2in. (64 - 82mm)
LA00026	3" Long	0.9lb. (0.41kg)	18.0in. (458mm)	3.4in. (87mm)	5.2in. (132mm)	2.5 - 3.2in. (64 - 82mm)
LA00043	2" Short	0.5lb. (0.23kg)	6.0in. (152mm)	2.8in. (72mm)	4.2in. (107mm)	1.6 - 2.2in. (41 - 56mm)
LA00044	2" Medium	0.7lb. (0.32kg)	12.0in. (305mm)	2.8in. (72mm)	4.2in. (107mm)	1.6 - 2.2in. (41 - 56mm)
LA00045	2" Long	0.9lb. (0.41kg)	18.0in. (458mm)	2.8in. (72mm)	4.2in. (107mm)	1.6 - 2.2in. (41 - 56mm)

*Dimensions and weights are approximate and subject to change without notice.