



MAXUMIZER[®] M20 AIR BLOWER



- Bearing Bridge[™] drive system provides industrial durability and extended life
- Achieves higher output at lower operating speeds
- High efficiency system uses less horsepower and SAVES ENERGY
- Vertical and horizontal mounting with adjustable outlet orientation
- Complete system with integrated filter and vibration mounts

All Maxum Air Blowers are specifically designed to provide the optimum output range and energy efficiency for blowing and drying applications. They are the ideal choice for powering your blow-off system when used with *Maxumizer* Air Knives and Maxum's exclusive and revolutionary *Nozzle Bar*^{®*}



Maximum Performance..... Less Hype.

Maxum LLC
P.O. Box 70035,
Rochester Hills, MI 48307
Phone: 248-726-7110 Fax:248-852-4312

*U.S. Patent #8,814,067.
Other patents pending.



Model M20

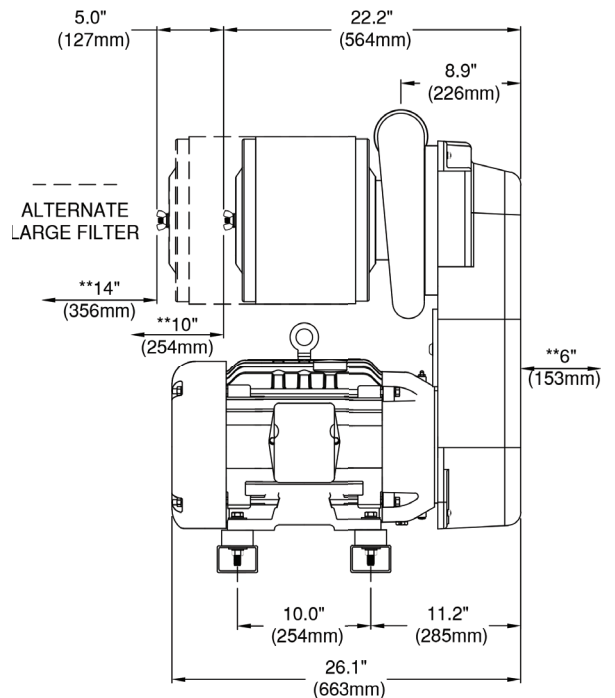
CFM		A	B	C	D	E	F	G	H
400	pressure	51	56	61	69	75	81	92	102
	HP	5.6	5.9	6.1	6.9	7.1	7.5	8.3	9.1
450	pressure	51	56	62	70	76	82	93	103
	HP	5.9	6.1	6.5	7.3	7.7	8.2	8.9	9.5
500	pressure	51	56	62	70	76	83	93	104
	HP	6.2	6.5	6.9	7.7	8.1	8.7	9.7	10.6
550	pressure	50	56	62	70	76	83	93	104
	HP	6.6	6.9	7.3	8.2	8.7	9.3	10.3	11.2
600	pressure	50	56	62	70	76	83	93	104
	HP	6.9	7.4	7.9	8.7	9.4	9.9	11.0	11.9
650	pressure	49	55	62	69	76	83	93	104
	HP	7.4	7.7	8.1	9.3	10.0	10.5	11.7	12.8
700	pressure	49	55	61	69	75	83	93	104
	HP	7.7	8.2	8.7	9.8	10.5	11.4	12.4	13.6
750	pressure	48	54	60	68	75	83	93	104
	HP	7.9	8.6	9.1	10.4	11.1	11.9	13.5	14.6
800	pressure	47	53	59	67	75	82	93	104
	HP	8.6	9.2	9.5	11.0	11.7	12.7	14.0	16.0
850	pressure	46	51	58	66	74	81	92	104
	HP	9.0	9.7	10.3	11.4	12.3	13.4	14.8	16.7
900	pressure	44	49	56	65	73	80	91	103
	HP	9.5	10.4	11.0	12.0	12.7	13.8	16.0	17.6
950	pressure	41	47	54	64	72	79	90	101
	HP	9.9	10.8	11.5	12.5	13.0	14.2	16.5	18.9
1000	pressure	38	44	51	62	70	77	89	100
	HP	10.2	11.3	12.0	12.9	13.5	15.3	17.0	19.7
1050	pressure	35	41	48	59	68	74	87	98
	HP	10.5	11.7	12.5	13.3	14.0	15.9	17.8	20.0
1100	pressure	31	39	46	56	64	71	84	
	HP	10.9	12.0	12.9	13.8	14.9	17.2	18.2	
1150	pressure	28	36	42	53	61	68	80	
	HP	11.3	12.5	13.4	14.7	16.6	17.9	19.0	
1200	pressure	23	31	38	49	56	65		
	HP	11.7	12.9	13.9	15.8	17.5	18.7		
1250	pressure	18	26	33	44	52	60		
	HP	12.2	13.3	14.4	16.5	18.1	19.7		
1300	pressure	12	20	27	38	48			
	HP	12.6	13.7	14.8	17.1	18.7			
1350	pressure	7	14	23	33	44			
	HP	13.4	14.2	15.6	17.7	19.3			
1400	pressure	2	8	18	28	38			
	HP	13.8	14.7	16.1	18.2	19.9			
1450	pressure		2	10	22				
	HP		15.8	16.6	18.8				
1500	pressure			2	15				
	HP			17.3	19.4				

pressure = inches water column

Example:

If you need 1200 cfm with 50" H2O, you could use model M20E

If you need 1100 cfm with 80" H2O, you could use model M20G



** SERVICE CLEARANCE

