



MAXUMIZER[®] M15 AIR BLOWER



- Bearing Bridge™ drive system provides industrial durability and extended life
- Achieves higher output at lower operating speeds
- High efficiency system uses less horsepower and SAVES ENERGY
- Vertical and horizontal mounting with adjustable outlet orientation
- Complete system with integrated filter and vibration mounts

All Maxum Air Blowers are specifically designed to provide the optimum output range and energy efficiency for blowing and drying applications. They are the ideal choice for powering your blow-off system when used with *Maxumizer* Air Knives and Maxum's exclusive and revolutionary *Nozzle Bar*^{®*}



Maximum Performance..... Less Hype.

Maxum LLC
P.O. Box 70035,
Rochester Hills, MI 48307
Phone: 248-726-7110 Fax:248-852-4312

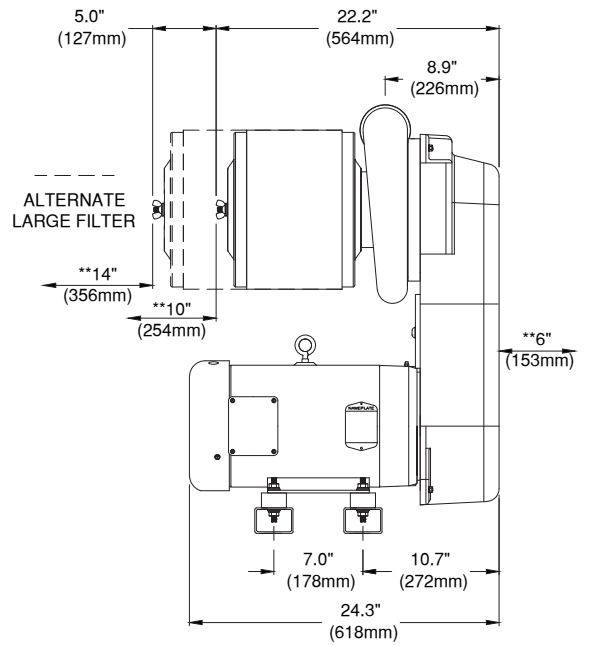
*U.S. Patent #8,814,067.
Other patents pending.



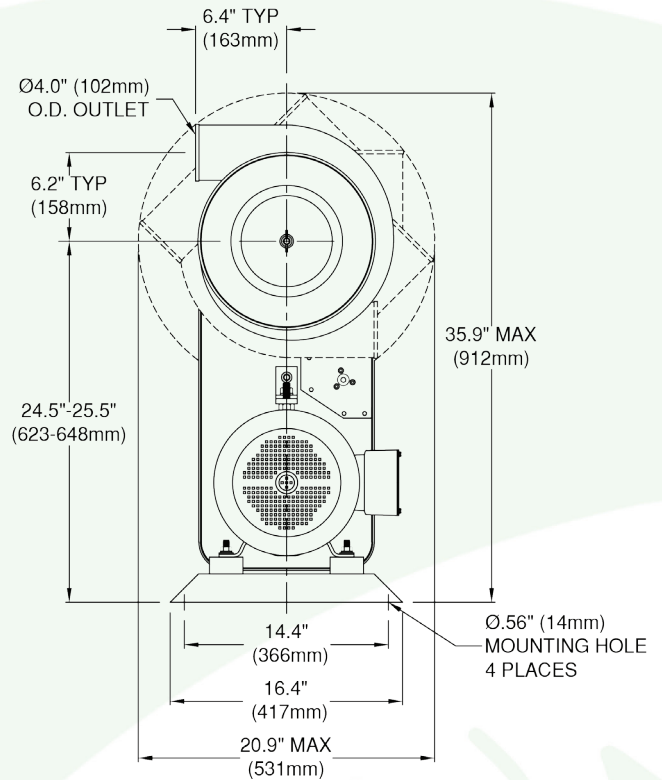
Model M15

| CFM | pressure | A | B | C | D | E | F | G | H |
|------|----------|------|------|------|------|------|------|------|------|
| 400 | pressure | 51 | 56 | 61 | 69 | 75 | 81 | 92 | 102 |
| | HP | 5.6 | 5.9 | 6.1 | 6.9 | 7.1 | 7.5 | 8.3 | 9.1 |
| 450 | pressure | 51 | 56 | 62 | 70 | 76 | 82 | 93 | 103 |
| | HP | 5.9 | 6.1 | 6.5 | 7.3 | 7.7 | 8.2 | 8.9 | 9.5 |
| 500 | pressure | 51 | 56 | 62 | 70 | 76 | 83 | 93 | 104 |
| | HP | 6.2 | 6.5 | 6.9 | 7.7 | 8.1 | 8.7 | 9.7 | 10.6 |
| 550 | pressure | 50 | 56 | 62 | 70 | 76 | 83 | 93 | 104 |
| | HP | 6.6 | 6.9 | 7.3 | 8.2 | 8.7 | 9.3 | 10.3 | 11.2 |
| 600 | pressure | 50 | 56 | 62 | 70 | 76 | 83 | 93 | 104 |
| | HP | 6.9 | 7.4 | 7.9 | 8.7 | 9.4 | 9.9 | 11.0 | 11.9 |
| 650 | pressure | 49 | 55 | 62 | 69 | 76 | 83 | 93 | 104 |
| | HP | 7.4 | 7.7 | 8.1 | 9.3 | 10.0 | 10.5 | 11.7 | 12.8 |
| 700 | pressure | 49 | 55 | 61 | 69 | 75 | 83 | 93 | 104 |
| | HP | 7.7 | 8.2 | 8.7 | 9.8 | 10.5 | 11.4 | 12.4 | 13.6 |
| 750 | pressure | 48 | 54 | 60 | 68 | 75 | 83 | 93 | 104 |
| | HP | 7.9 | 8.6 | 9.1 | 10.4 | 11.1 | 11.9 | 13.5 | 14.6 |
| 800 | pressure | 47 | 53 | 59 | 67 | 75 | 82 | 93 | |
| | HP | 8.6 | 9.2 | 9.5 | 11.0 | 11.7 | 12.7 | 14.0 | |
| 850 | pressure | 46 | 51 | 58 | 66 | 74 | 81 | 92 | |
| | HP | 9.0 | 9.7 | 10.3 | 11.4 | 12.3 | 13.4 | 14.8 | |
| 900 | pressure | 44 | 49 | 56 | 65 | 73 | 80 | | |
| | HP | 9.5 | 10.4 | 11.0 | 12.0 | 12.7 | 13.8 | | |
| 950 | pressure | 41 | 47 | 54 | 64 | 72 | 79 | | |
| | HP | 9.9 | 10.8 | 11.5 | 12.5 | 13.0 | 14.2 | | |
| 1000 | pressure | 38 | 44 | 51 | 62 | 70 | | | |
| | HP | 10.2 | 11.3 | 12.0 | 12.9 | 13.5 | | | |
| 1050 | pressure | 35 | 41 | 48 | 59 | 68 | | | |
| | HP | 10.5 | 11.7 | 12.5 | 13.3 | 14.0 | | | |
| 1100 | pressure | 31 | 39 | 46 | 56 | 64 | | | |
| | HP | 10.9 | 12.0 | 12.9 | 13.8 | 14.9 | | | |
| 1150 | pressure | 28 | 36 | 42 | 53 | | | | |
| | HP | 11.3 | 12.5 | 13.4 | 14.7 | | | | |
| 1200 | pressure | 23 | 31 | 38 | | | | | |
| | HP | 11.7 | 12.9 | 13.9 | | | | | |
| 1250 | pressure | 18 | 26 | 33 | | | | | |
| | HP | 12.2 | 13.3 | 14.4 | | | | | |
| 1300 | pressure | 12 | 20 | 27 | | | | | |
| | HP | 12.6 | 13.7 | 14.8 | | | | | |
| 1350 | pressure | 7 | 14 | | | | | | |
| | HP | 13.4 | 14.2 | | | | | | |
| 1400 | pressure | 2 | 8 | | | | | | |
| | HP | 13.8 | 14.7 | | | | | | |

pressure = inches water column



** SERVICE CLEARANCE



Examples:

If you need 1100 cfm with 50" H2O pressure, you could use model M15D.

If you need 800 cfm with 80" H2O pressure, you could use model M15F.

