

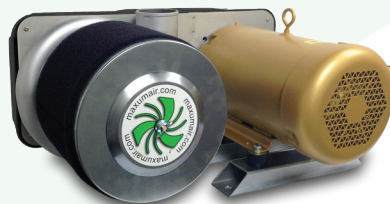


MAXUMIZER® L10 AIR BLOWER



- Bearing Bridge™ drive system provides industrial durability and extended life
- Achieves higher output at lower operating speeds
- High efficiency system uses less horsepower and SAVES ENERGY
- Vertical and horizontal mounting with adjustable outlet orientation
- Complete system with integrated filter and vibration mounts

All Maxum Air Blowers are specifically designed to provide the optimum output range and energy efficiency for blowing and drying applications. They are the ideal choice for powering your blow-off system when used with *Maxumizer* Air Knives and Maxum's exclusive and revolutionary *Nozzle Bar*®*



Maximum Performance..... Less Hype.

Maxum LLC
P.O. Box 70035,
Rochester Hills, MI 48307
Phone: 248-726-7110 Fax:248-852-4312

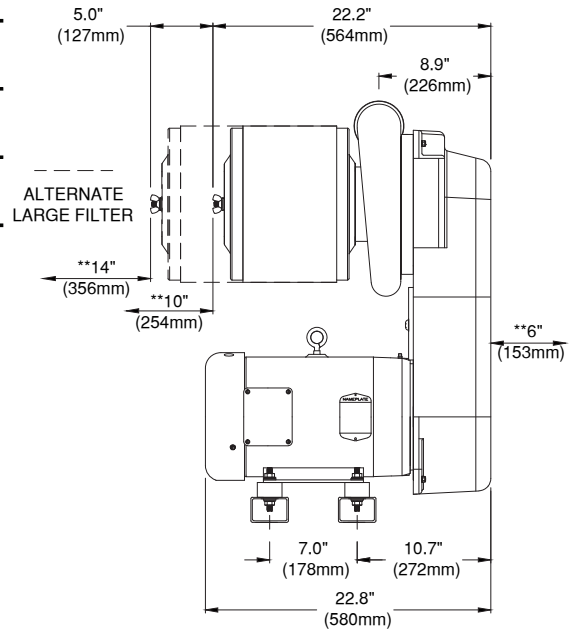
*U.S. Patent #8,814,067.
Other patents pending.



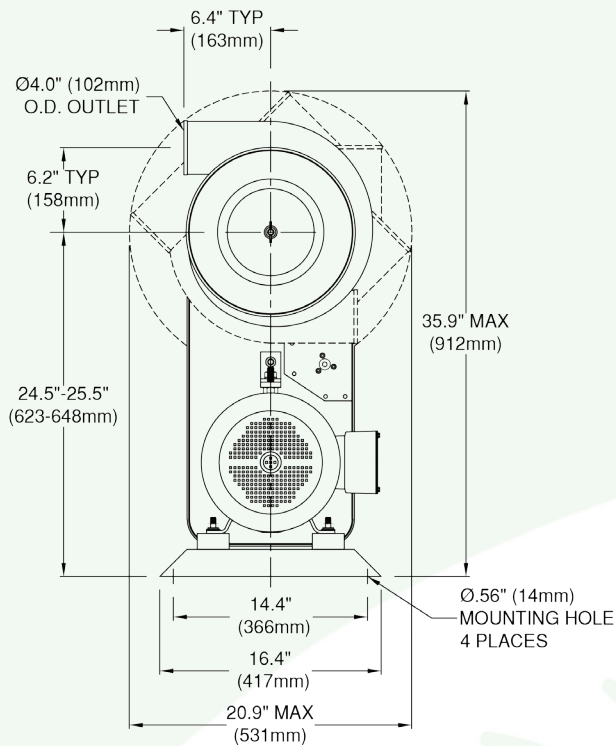
Model L10

CFM		A	B	C	D	E	F	G	H	J
200	pressure	50	54	59	68	74	80	90	99	106
	HP	4.3	4.6	4.8	5.5	5.9	6.3	7.2	8.0	8.6
250	pressure	50	54	59	68	74	80	90	99	106
	HP	4.4	4.7	5.1	5.5	5.9	6.5	7.4	8.3	8.9
300	pressure	50	55	59	68	74	80	90	99	106
	HP	4.5	4.8	5.2	5.6	6.1	6.6	7.7	8.6	9.4
350	pressure	50	55	59	68	74	80	90	99	105
	HP	4.9	5.1	5.4	6.0	6.3	6.9	8.1	9.1	9.9
400	pressure	50	55	60	68	74	80	90	99	
	HP	5.2	5.6	5.9	6.5	6.8	7.2	8.5	9.6	
450	pressure	50	55	60	68	74	80	90		
	HP	5.5	5.8	6.2	6.9	7.5	7.9	9.6		
500	pressure	50	54	59	68	74	80			
	HP	5.8	6.3	6.7	7.4	8.0	8.5			
550	pressure	50	54	59	68	74	80			
	HP	6.3	6.7	7.1	7.9	8.6	9.2			
600	pressure	49	54	59	68	74	80			
	HP	6.6	7.2	7.6	8.5	9.2	9.9			
650	pressure	48	53	58	67	74				
	HP	6.9	7.5	8.1	9.1	9.9				
700	pressure	47	52	57	66					
	HP	7.5	8.0	8.5	9.6					
750	pressure	46	51	56						
	HP	7.7	8.3	9.1						
800	pressure	45	50	55						
	HP	7.9	8.7	9.4						
850	pressure	44	49	54						
	HP	8.2	8.9	9.8						
900	pressure	43	48							
	HP	8.5	9.4							
950	pressure	41	46							
	HP	8.8	9.6							
1000	pressure	40	45							
	HP	9.1	9.9							
1050	pressure	39								
	HP	9.3								
1100	pressure	38								
	HP	9.5								

pressure = inches water column



** SERVICE CLEARANCE



Examples:

If you need 850 cfm with 50" H2O pressure, you could use model L10C.

If you need 600 cfm with 70" H2O pressure, you could use model L10E.

