



## MAXUMIZER® L07 AIR BLOWER



- Bearing Bridge™ drive system provides industrial durability and extended life
- Achieves higher output at lower operating speeds
- High efficiency system uses less horsepower and SAVES ENERGY
- Vertical and horizontal mounting with adjustable outlet orientation
- Complete system with integrated filter and vibration mounts

All Maxum Air Blowers are specifically designed to provide the optimum output range and energy efficiency for blowing and drying applications. They are the ideal choice for powering your blow-off system when used with *Maxumizer* Air Knives and Maxum's exclusive and revolutionary *Nozzle Bar*®\*



Maximum Performance..... Less Hype.

Maxum LLC  
P.O. Box 70035,  
Rochester Hills, MI 48307  
Phone: 248-726-7110 Fax:248-852-4312

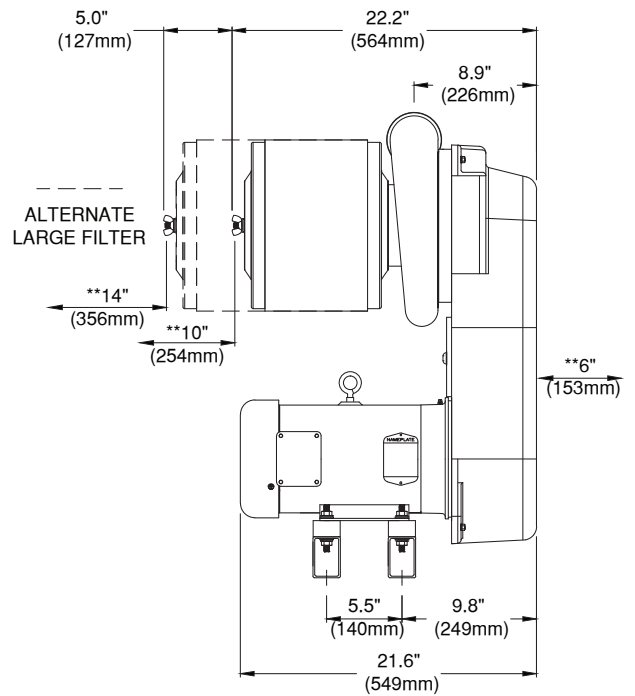
\*U.S. Patent #8,814,067.  
Other patents pending.



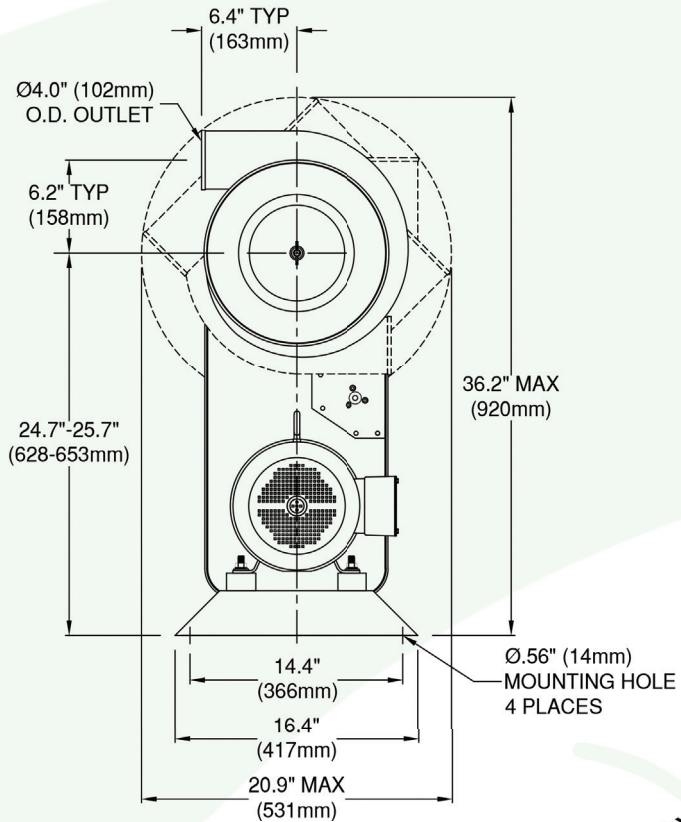
**Model L07**

CFM		A	B	C	D	E	F	G
200	pressure	50	54	59	68	74	80	90
	HP	4.3	4.6	4.8	5.5	5.9	6.3	7.2
250	pressure	50	54	59	68	74	80	90
	HP	4.4	4.7	5.1	5.5	5.9	6.5	7.4
300	pressure	50	55	59	68	74	80	
	HP	4.5	4.8	5.2	5.6	6.1	6.6	
350	pressure	50	55	59	68	74	80	
	HP	4.9	5.1	5.4	6.0	6.3	6.9	
400	pressure	50	55	60	68	74	80	
	HP	5.2	5.6	5.9	6.5	6.8	7.2	
450	pressure	50	55	60	68	74		
	HP	5.5	5.8	6.2	6.9	7.5		
500	pressure	50	54	59	68			
	HP	5.8	6.3	6.7	7.4			
550	pressure	50	54	59				
	HP	6.3	6.7	7.1				
600	pressure	49	54					
	HP	6.6	7.2					
650	pressure	48	53					
	HP	6.9	7.5					
700	pressure	47						
	HP	7.5						

pressure = inches water column



\*\* SERVICE CLEARANCE



Example:

If you need 600 cfm with 50" H2O pressure, you could use model L07B

If you need 400 cfm with 70" H2O pressure, you could use model L07E

