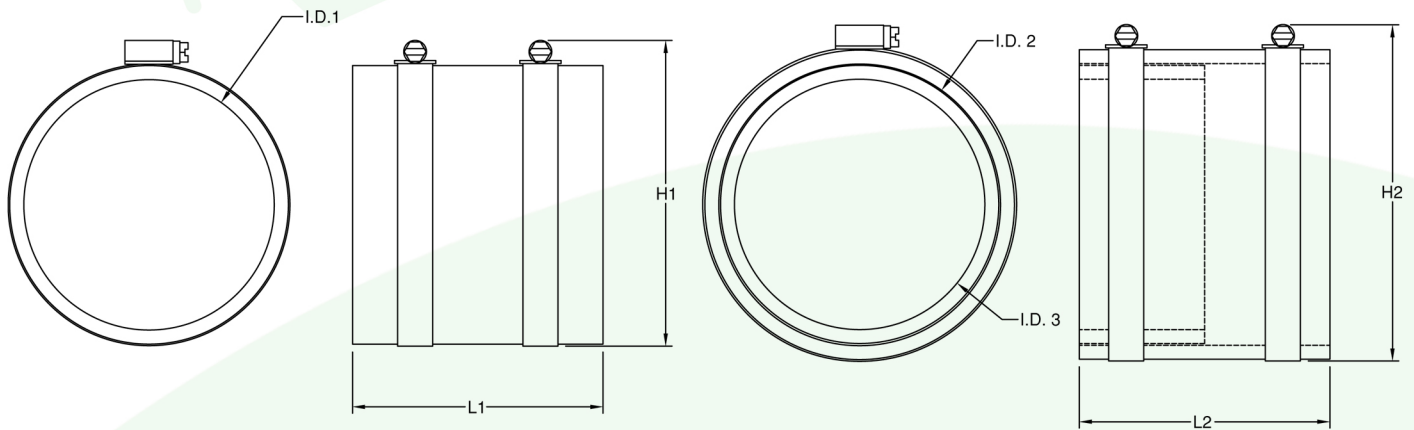


TUBE COUPLING WITH SS CLAMPS



Part #	Size	Weight	Dimensions						
			I.D. 1	I.D. 2	I.D. 3	L1	L2	H1	H2
PAC00005	3"	0.5lb. (0.3kg)	3.0in. (77mm)	-	-	3.0in. (77mm)	-	3.9in. (100mm)	-
PAC00006	4"	0.7lb. (0.4kg)	4.0in. (102mm)	-	-	4.0in. (102mm)	-	4.9in. (125mm)	-
PAC00008	6"	1.7lb. (0.8kg)	6.0in. (153mm)	-	-	6.0in. (153mm)	-	6.9in. (176mm)	-
PAC00022**	3.5"	0.6lb. (0.3kg)	-	3.5in. (89mm)	3.0in. (77mm)	-	3.0in. (77mm)	-	4.4in. (112mm)
PAC00023**	4.5"	1.0lb. (0.5kg)	-	4.5in. (115mm)	4.0in. (102mm)	-	4.0in. (102mm)	-	5.4in. (138mm)
PAC00021**	6.5"	2.3lb. (1.1kg)	-	6.6in. (168mm)	6.0in. (153mm)	-	6.0in. (153mm)	-	7.6in. (193mm)

**This coupling includes 1/2 adapter sleeve to bridge tubing with pipe.

*Dimensions and weights are approximate and subject to change without notice.

NOTE: FOR USE WITH LOW PRESSURE AIR ONLY

Maximum use = 5psi, 170°F