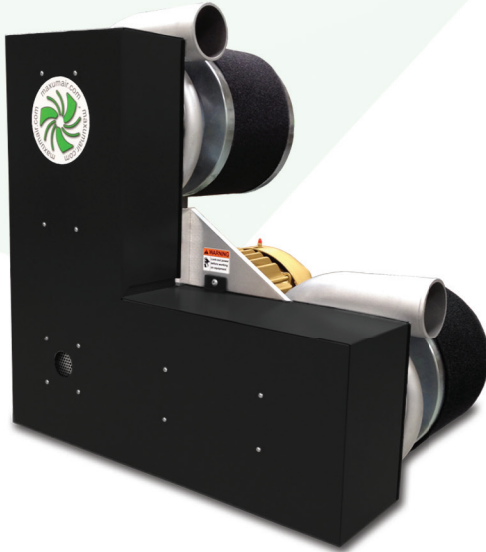




## MAXUMIZER<sup>®</sup> V40 AIR BLOWER



- Bearing Bridge<sup>™</sup> drive system provides industrial durability and extended life
- Achieves higher output at lower operating speeds

- High efficiency system uses less horsepower and SAVES ENERGY
- Dual outlets standard
- Complete system with integrated filter and vibration mounts



All Maxum Air Blowers are specifically designed to provide the optimum output range and energy efficiency for blowing and drying applications. They are the ideal choice for powering your blow-off system when used with *Maxumizer* Air Knives and Maxum's exclusive and revolutionary *Nozzle Bar*<sup>®\*</sup>

\*U.S. Patent #8,814,067. Other patents pending.

Maximum Performance..... Less Hype.

Maxum LLC  
P.O. Box 70035,  
Rochester Hills, MI 48307  
Phone: 248-726-7110 Fax:248-852-4312



NOTE: Output data for Model V Blowers is the total combined output of BOTH Blower Heads.



**Model V40**

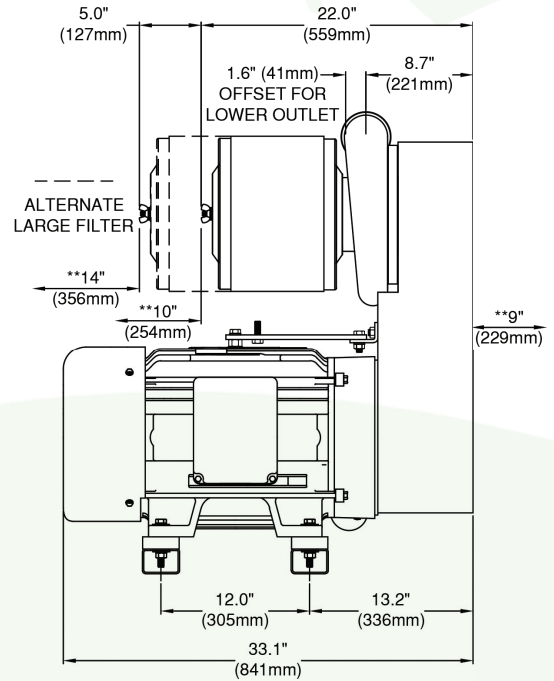
CFM		A	B	C	D	E	F	G	H
800	pressure	51	56	61	69	75	81	92	102
	HP	11.1	11.7	12.2	13.7	14.2	15.0	16.6	18.2
900	pressure	51	56	62	70	76	82	93	103
	HP	11.7	12.3	13.0	14.6	15.3	16.5	17.9	19.0
1000	pressure	51	56	62	70	76	83	93	104
	HP	12.4	13.0	13.7	15.3	16.2	17.5	19.4	21.2
1100	pressure	50	56	62	70	76	83	93	104
	HP	13.1	13.9	14.6	16.5	17.5	18.6	20.6	22.5
1200	pressure	50	56	62	70	76	83	93	104
	HP	13.9	14.7	15.8	17.5	18.7	19.9	21.9	23.9
1300	pressure	49	55	62	69	76	83	93	104
	HP	14.8	15.4	16.2	18.6	20.0	20.9	23.3	25.6
1400	pressure	49	55	61	69	75	83	93	104
	HP	15.4	16.5	17.3	19.6	21.1	22.7	24.9	27.3
1500	pressure	48	54	60	68	75	83	93	104
	HP	15.9	17.2	18.2	20.8	22.2	23.7	26.9	29.3
1600	pressure	47	53	59	67	75	82	93	104
	HP	17.2	18.4	19.0	21.9	23.5	25.3	28.0	32.0
1700	pressure	46	51	58	66	74	81	92	104
	HP	18.0	19.4	20.6	22.7	24.6	26.8	29.6	33.4
1800	pressure	44	49	56	65	73	80	91	103
	HP	19.0	20.8	22.0	24.0	25.5	27.6	32.0	35.2
1900	pressure	41	47	54	64	72	79	90	101
	HP	19.8	21.6	23.0	25.0	26.0	28.3	33.0	37.8
2000	pressure	38	44	51	62	70	77	89	100
	HP	20.4	22.6	24.0	25.8	26.9	30.6	34.0	39.4
2100	pressure	35	41	48	59	68	74	87	98
	HP	21.0	23.4	25.0	26.6	27.9	31.8	35.6	40.0
2200	pressure	31	39	46	56	64	71	84	
	HP	21.8	24.0	25.8	27.6	29.8	34.4	36.4	
2300	pressure	28	36	42	53	61	68	80	
	HP	22.6	25.0	26.8	29.4	33.2	35.8	38.0	
2400	pressure	23	31	38	49	56	65		
	HP	23.4	25.8	27.8	31.6	35.0	37.4		
2500	pressure	18	26	33	44	52	60		
	HP	24.4	26.6	28.8	33.0	36.2	39.4		
2600	pressure	12	20	27	38	48			
	HP	25.2	27.4	29.6	34.2	37.4			
2700	pressure	7	14	23	33	44			
	HP	26.8	28.4	31.2	35.4	38.6			
2800	pressure	2	8	18	28	38			
	HP	27.6	29.4	32.2	36.4	39.8			
2900	pressure		2	10	22				
	HP		31.6	33.2	37.6				
3000	pressure			2	15				
	HP			34.6	38.8				

pressure = inches water column

Example:

If you need 2400 cfm with 50" H2O pressure, you could use model V40E.

If you need 2200 cfm with 80" H2O pressure, you could use model V40G



\*\* SERVICE CLEARANCE

