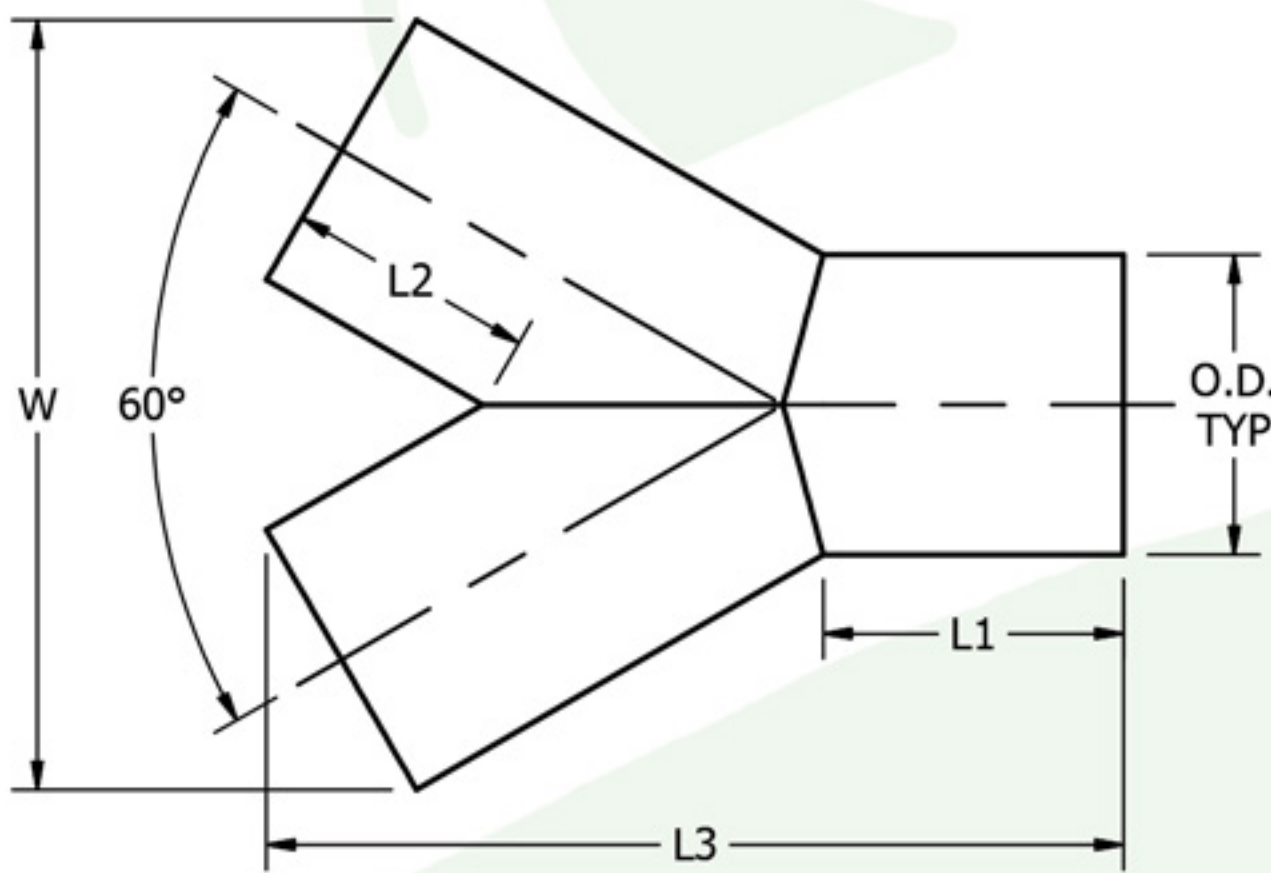
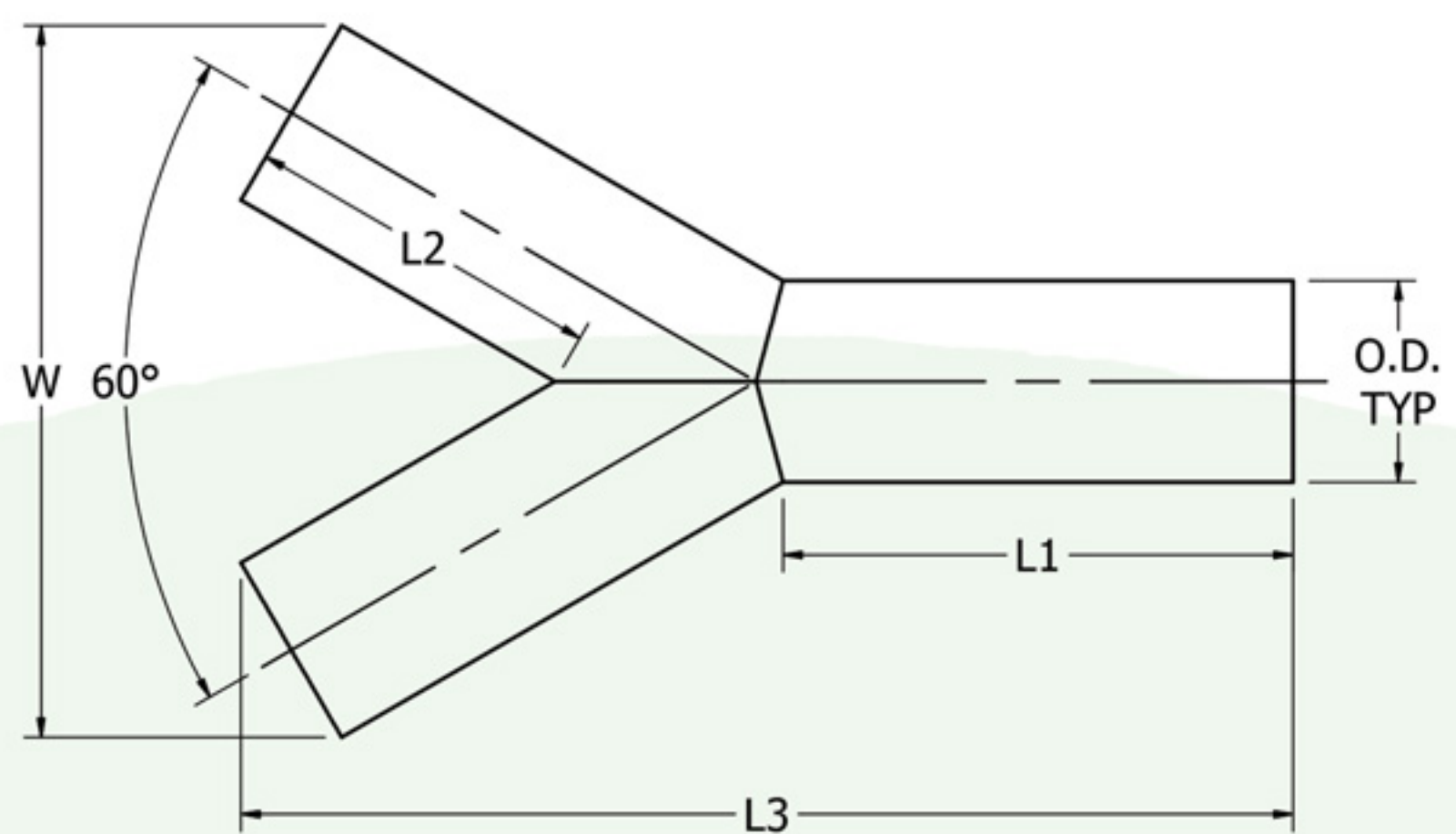


**Y-BRANCH 60°
STAINLESS STEEL**



Short



Long

Part #	Style	Weight	Size	Dimensions				
				O.D.	L1	L2	L3	W
PAY00018	Short	1.0lb. (0.4kg)	2"	2.0in. (51mm)	2.0in. (51mm)	2.0in. (51mm)	6.0in. (152mm)	5.5in. (139mm)
PAY00016	Long	2.6lb. (1.2kg)	2"	2.0in. (51mm)	7.7in. (196mm)	6.3in. (160mm)	15.4in. (391mm)	9.7in. (246mm)
PAY00001	Short	2.0lb. (0.9kg)	3"	3.0in. (77mm)	3.0in. (77mm)	2.5in. (64mm)	8.6in. (219mm)	7.7in. (196mm)
PAY00015	Long	3.8lb. (1.7kg)	3"	3.0in. (77mm)	7.6in. (193mm)	5.4in. (137mm)	15.7in. (399mm)	10.6in. (269mm)
PAY00002	Short	3.3lb. (1.5kg)	4"	4.0in. (102mm)	3.5in. (89mm)	3.0in. (77mm)	10.6in. (269mm)	9.9in. (252mm)
PAY00014	Long	4.9lb. (2.2kg)	4"	4.0in. (102mm)	7.5in. (191mm)	4.5in. (114mm)	15.9in. (404mm)	11.5in. (292mm)

*Dimensions and weights are approximate and subject to change without notice.