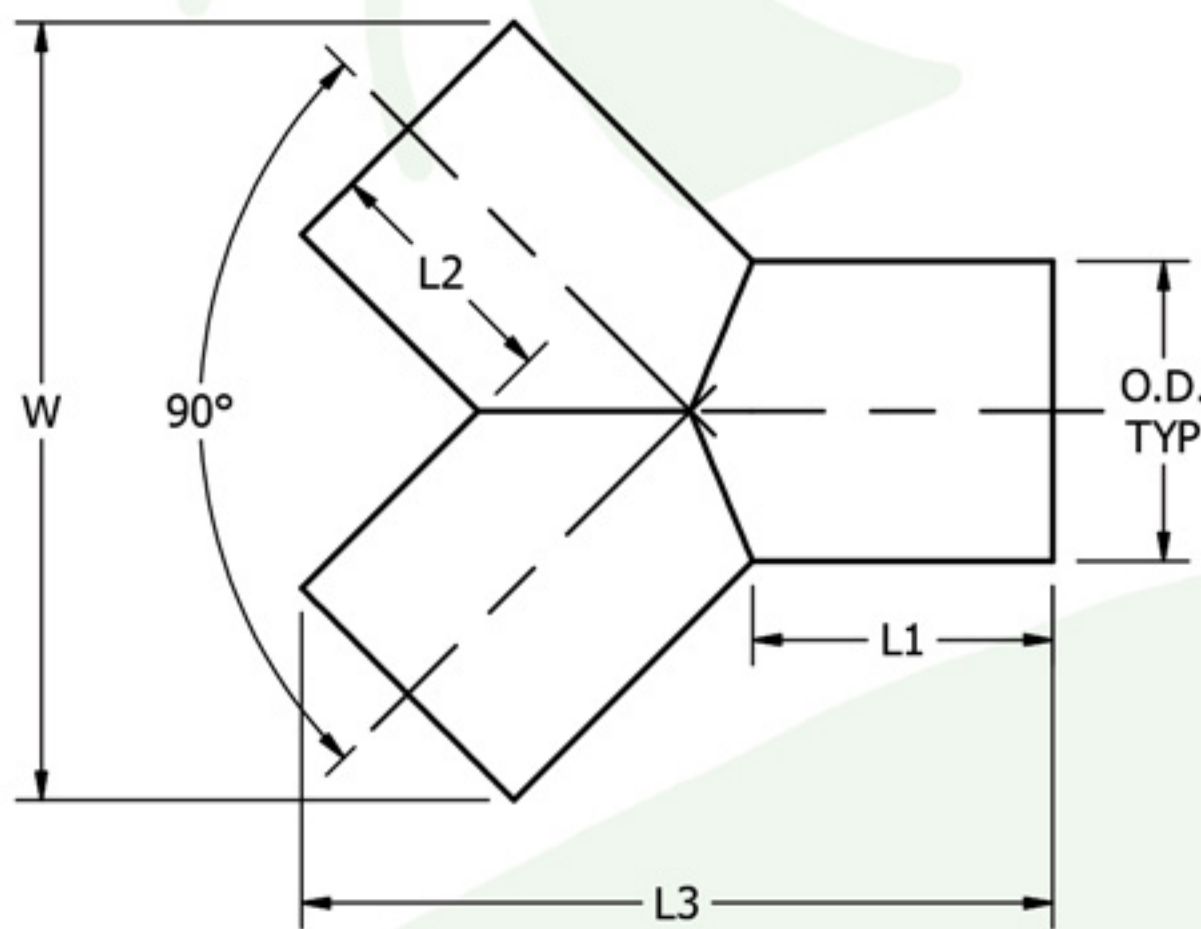
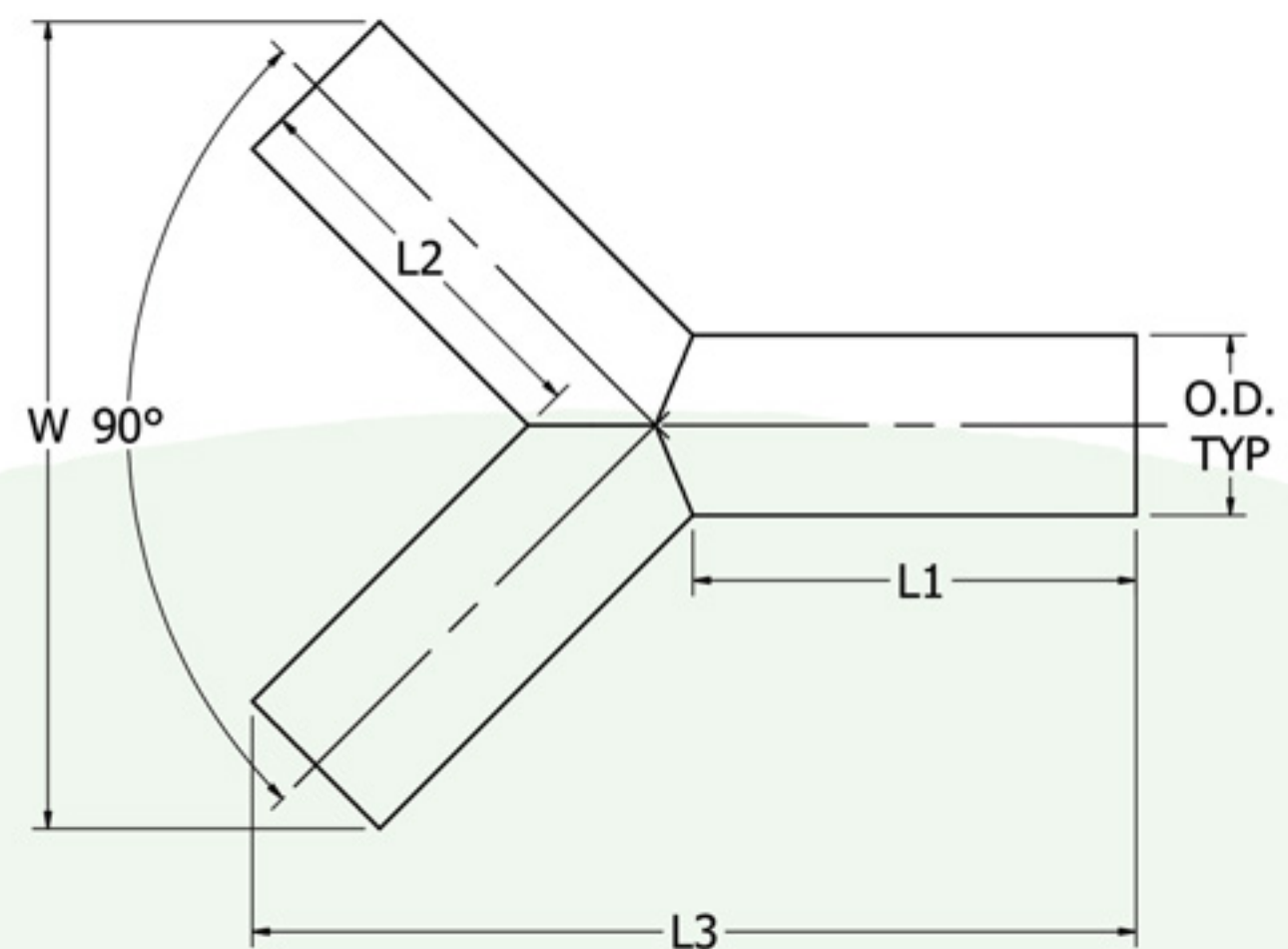


**Y-BRANCH 90°
STAINLESS STEEL**



Short



Long

Part #	Style	Weight	Size	Dimensions				
				O.D.	L1	L2	L3	W
PAY00019	Short	0.8lb. (0.4kg)	2"	2.0in. (51mm)	2.0in. (51mm)	2.0in. (51mm)	5.2in. (133mm)	5.7in. (144mm)
PAY00017	Long	2.6lb. (1.2kg)	2"	2.0in. (51mm)	7.6in. (193mm)	7.0in. (178mm)	14.4in. (366mm)	12.7in. (323mm)
PAY00010	Short	1.7lb. (0.8kg)	3"	3.0in. (77mm)	3.0in. (77mm)	2.5in. (64mm)	7.5in. (191mm)	7.8in. (198mm)
PAY00013	Long	3.9lb. (1.8kg)	3"	3.0in. (77mm)	7.4in. (188mm)	6.5in. (165mm)	14.7in. (373mm)	13.4in. (340mm)
PAY00011	Short	2.8lb. (1.3kg)	4"	4.0in. (102mm)	3.5in. (89mm)	3.0in. (77mm)	9.3in. (237mm)	9.9in. (252mm)
PAY00012	Long	5.0lb. (2.3kg)	4"	4.0in. (102mm)	7.2in. (183mm)	6.0in. (152mm)	15.1in. (384mm)	14.1in. (358mm)
PAY00004	Long	14.5lb. (6.6kg)	6"	6.0in. (153mm)	10.8in. (275mm)	9.0in. (229mm)	22.6in. (574mm)	21.2in. (539mm)

*Dimensions and weights are approximate and subject to change without notice.